

AXIS STRAIGHT C7 SPECIFICATIONS



1300 122 868



sales@axislifts.com.au

TECHNICAL DATA

RATED LOAD	225KGS
POWER SUPPLY	240 VAC SINGLE PHASE - 10 AMP SUPPLY
TRAVEL SPEED	0,10m/sec
LIFT FINSH	STANDARD LIFT COLOUR = RAL 7035 (OPTION FOR ANY RAL COLOUR) 600mm (W) x 650mm (D)
LIFT RAIL	STANDARD NATURAL ANODIZED ALUMINIUM RAILS ON THE WALL OR ON COLUMNS
PLATFORM SIZE	1200mm x 810mm
SIDE CLEARANCE REQUIRED	COMMERCIAL APPLICATION = 300mm RESIDENTIAL APPLICATION = 50mm
WIDTH UNFOLDED	1050mm
WIDTH FOLDED UP	300mm
COMPLIANCE	LATEST EUROPEAN STANDARDS AS1735.7

PLEASE CONTACT OUR FRIENDLY SALES TEAM FOR MORE DETAILS

AXIS STRAIGHT C7 SPECIFICATIONS

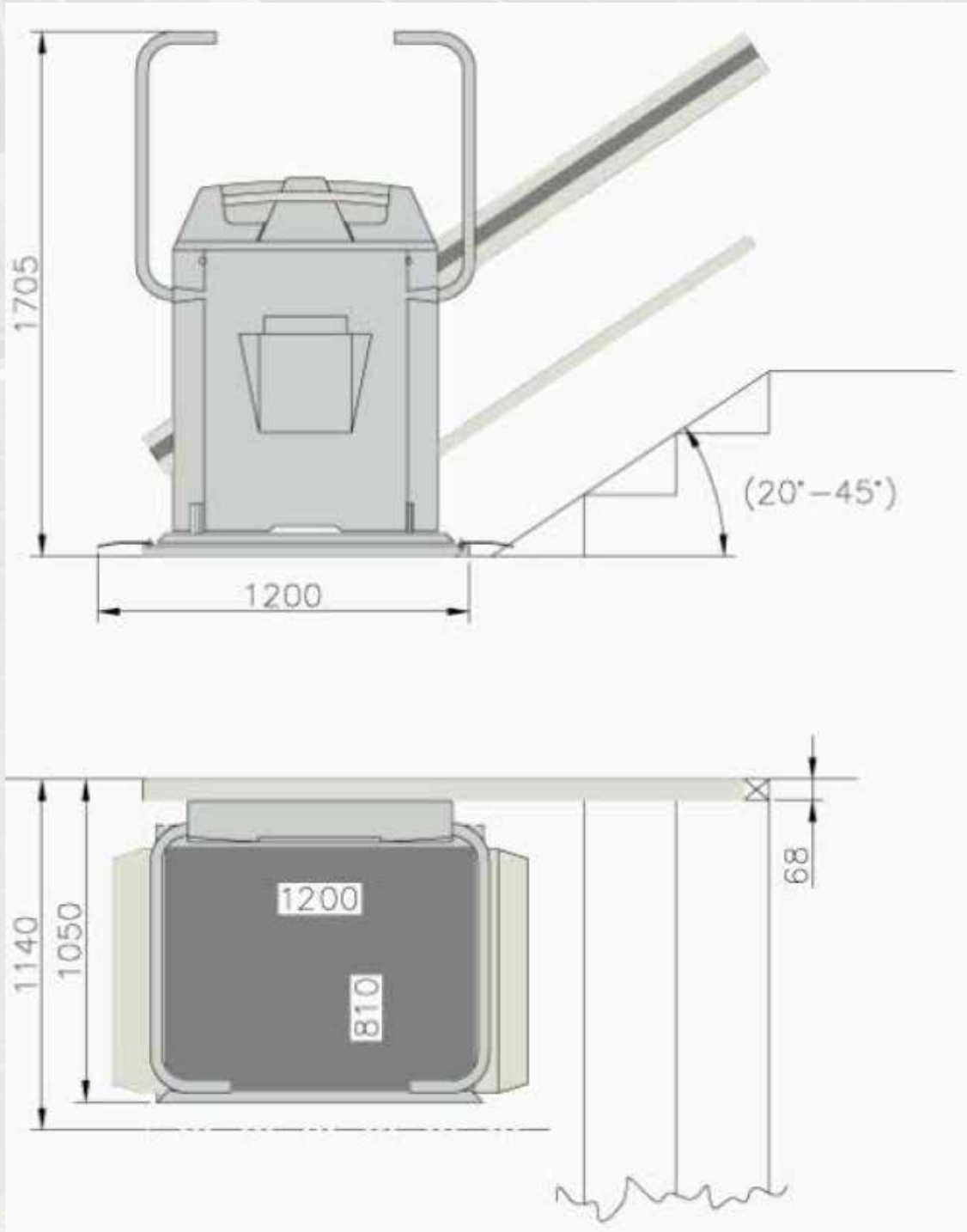


1300 122 868



sales@axislifts.com.au

DRAWINGS



PLEASE CONTACT OUR FRIENDLY SALES TEAM FOR MORE DETAILS