

# AXIS 4000

## SPECIFICATIONS



1300 122 868



sales@axislifts.com.au

### TECHNICAL DATA

DRIVE SYSTEM	PATENTED SCREWNUT SYSTEM
RATED LOAD	250KGS -
POWER SUPPLY	1-PHASE 230V 50 Hz/9 A/16 A SLOW
CONTROL VOLTAGE	24V
NUMBER OF STOPS	MAX 6 STOPS PER LIFT
NUMBER OF DOORS	MAX 6 DOORS PER LIFT 2 DOORS PER FLOOR
TRAVEL SPEED	0.15m/s
MOTOR POWER	2,2KW
ENVIRONMENT	INDOOR
TOP HEIGHT	2300mm -MIN
TRAVEL HEIGHT	250 - 13 000mm
PIT	50mm (NO PIT IS REQUIRED WHEN THERE IS A THRESHOLD/RAMP)
PLATFORM CONTROL	HOLD TO RUN THE DESTINATION BUTTON MUST BE KEPT PRESSED DOWN DURING THE WHOLE RIDE
LANDING CONTROL (ON DOOR)	ONE TOUCH CALL
EMERGENCY LOWERING	BATTERY OPERATED EMERGENCY LOWERING

PLEASE CONTACT OUR FRIENDLY SALES TEAM FOR MORE DETAILS

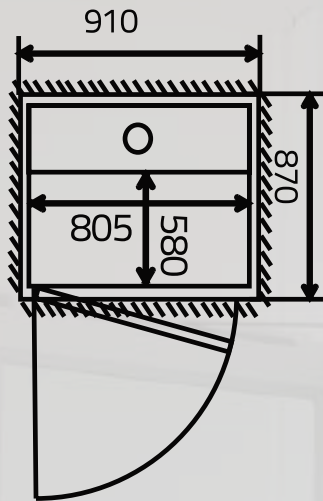
# AXIS 4000

## SPECIFICATIONS

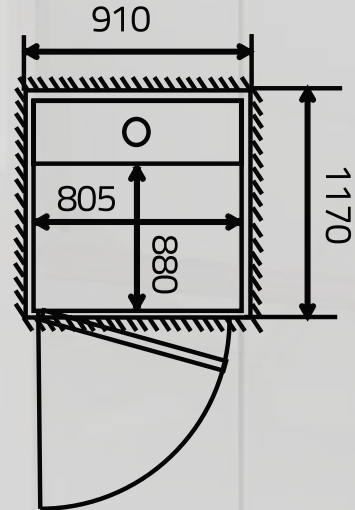
☎ 1300 122 868

✉ [sales@axislifts.com.au](mailto:sales@axislifts.com.au)

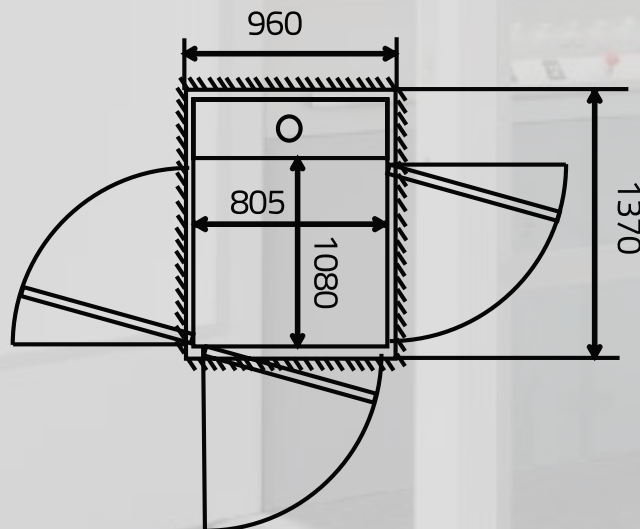
### DRAWINGS



**Size: 580 x 805 mm**  
Rated load: 250 kg / 2 persons



**Size: 880 x 805 mm**  
Rated load: 250 kg / 2 persons



**Size: 1080 x 805 mm**  
Rated load: 250 kg / 2 persons

PLEASE CONTACT OUR FRIENDLY SALES TEAM FOR MORE DETAILS